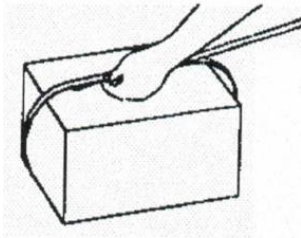


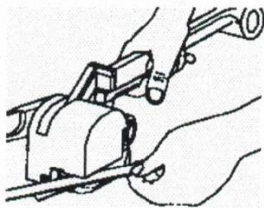
Steel strapping tool – no seal joint B07



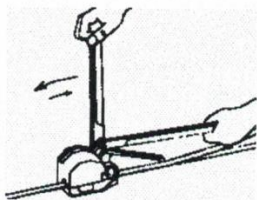
Instructions



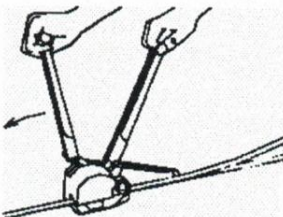
Place the strap around the material with the end of the strap at the bottom as in the picture. The part that goes around the material should be on top.



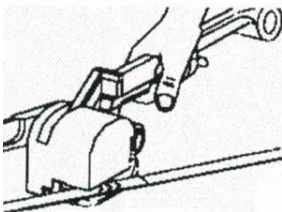
Press the handles nr.10 and 55 together to open the tool, then place the strap in the space between the upper and lower part of the tool. Release the handles. The strap is now locked and ready to be tightened.



Push the right arm nr.19 back and forward until the strap is tight enough. **NB! Always use protective gloves and glasses when strapping.**



When the strap is tight enough, push the left arm nr.55 forward to seal and cut the strap.



Once again push the handles nr.10 and nr.55 together to loosen the tool.



Basic maintenance instructions

Cleaning

Clean punch, die, punching die and tensioning wheel from dirt. After use in dirty or dusty environment other moving parts should also be cleaned.

Oiling

Oil the tool after cleaning to avoid dirt in the cleaned parts. The range between oiling is determined by the environment.

Oil axel nr.54, between parts nr.41, 10, 56 and 55. Part nr.13 and the space between nr.22 and 1. Pin nr.12 and the space between nr.10 and 1. Eccentric pin nr.25 and the space between nr.22, 25, 44, 1 and 19.

Adjustment

Adjustment width of strap

Loosen the screws nr.31,30,31 and 33 and arrange so that the punched cut is in the middle of the steel strap. Tighten the screws again. The tool can be set for width between 13 and 19mm, parts for this is included.

Adjustment of the knife

The knife is adjusted by turning screw nr.21. When the screw is turned clockwise the cut gets deeper. Adjustment of the knife is necessary if the knife does not manage to cut the upper strap or if the lower strap is damaged by the knife. Don't forget to tighten the screw after adjustment.

Safety instructions

- Always use protective gloves and glasses.
- Never hang or lift close to locking.
- Do not place hands or other parts between strap and material during strapping.
- Unroll the strap from recommended dispenser.
- Use cutter to cut the strap, be careful! The strap might slip away after cutting!
- Never place fingers between the moving parts of the tool while in use.

Postadress/Besöksadress
NMH Packaging AB
Fabriksvägen 15
SE-446 37 Älvängen
Sweden
Tel: +46 303 741270
Fax: +46 303 749630

Bankgiro/ Bank giro
624-8991
624-8991

Innehar F-Skattesedel

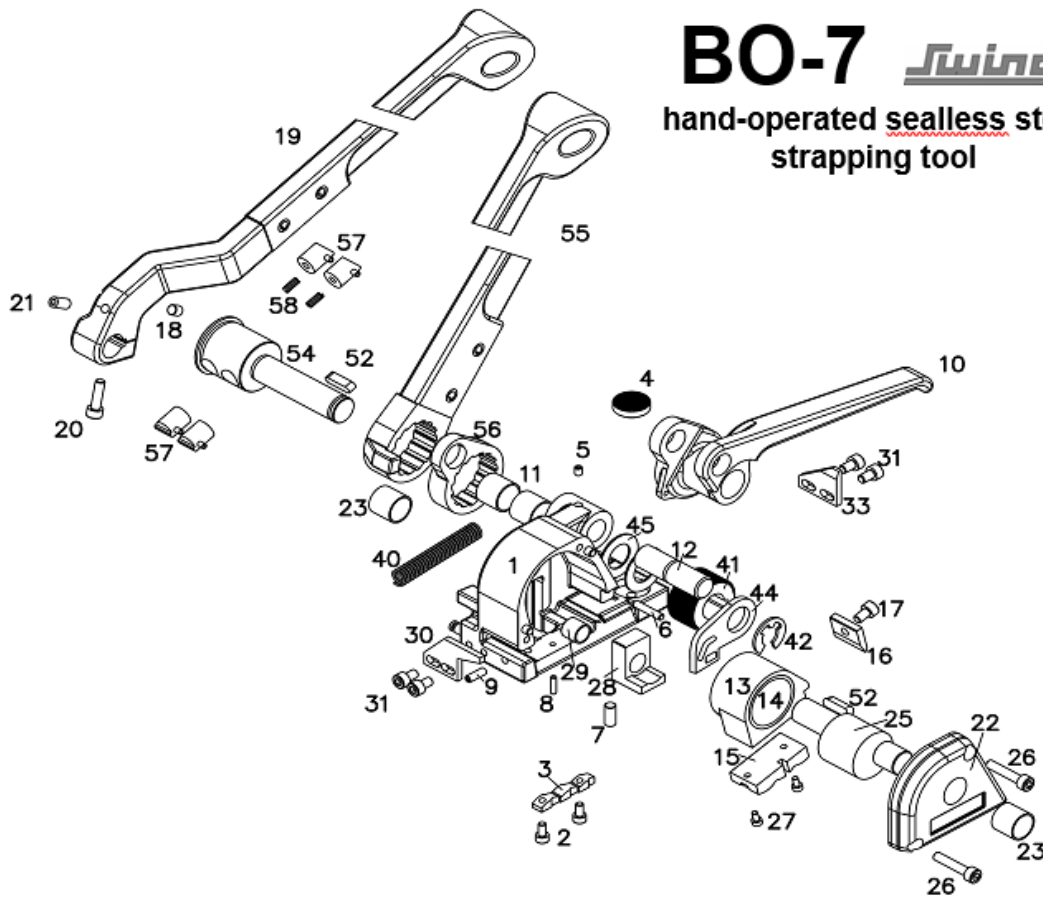
Orgnr/Vat.no
SE556995025501

Styrelsens säte
ALE

Bank
Svenska Handelsbanken
Nödinge Sweden
Swift: HANDSESS
IBAN: SE92 6000 0000 0008 6650 0758

BO-7 *Swing*

hand-operated sealless steel
strapping tool



Pos.	Description	Pos.	Description	Pos.	Description
1	Body	16	Cutter	33	Stop
2	Screw	17	Screw	40	Spring
3	Punsch	18	Screw	41	Tightening disk
4	Die	19	Cut off lever	42	Safety ring
5	Screw	20	Screw	44	Guiding lever
6	Pin	21	Screw	45	Washer
7	Screw	22	Cover	52	Key
8	Pin	23	Bush	54	Shaft
9	Screw	25	Eccentric pin	55	Tightening lever
10	Fork	26	Screw	56	Fuse
11	Bush	27	Screw	57	Catch
12	Pin	28	Ejector	58	Spring
13	Connecting rod	29	Bush		
14	Bush	30	Stop		
15	Punching die	31	Screw		