

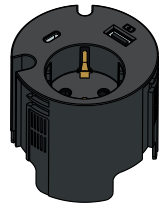
Powerdot

□ 935-PD16W

■ 935-PD16

POWER
dot

CONTENT:



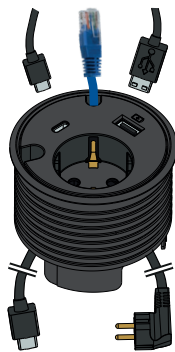
x1



x1



x1

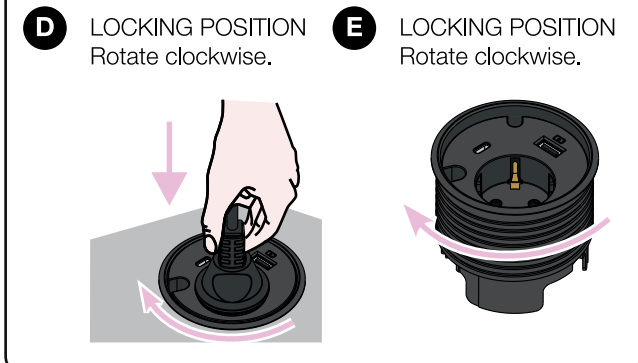
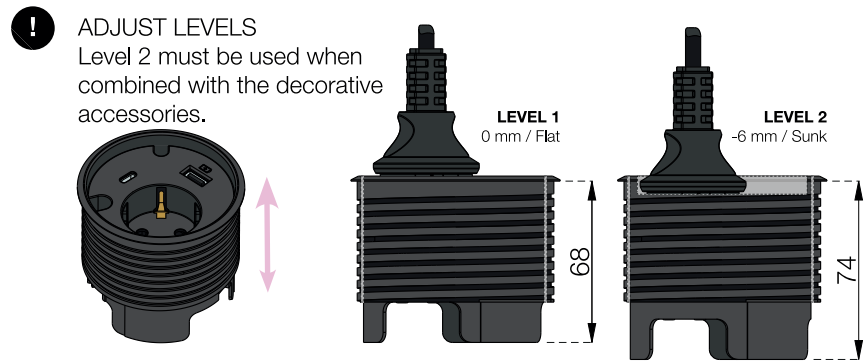
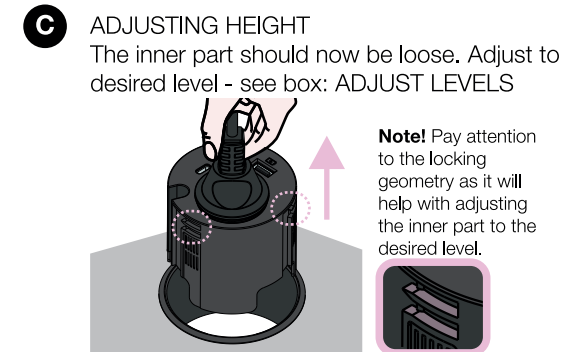
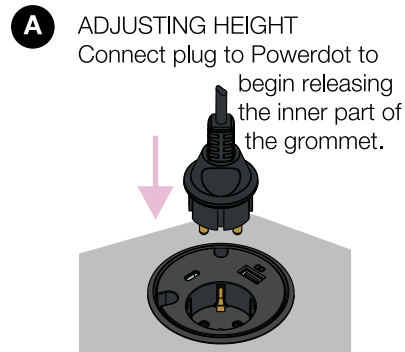
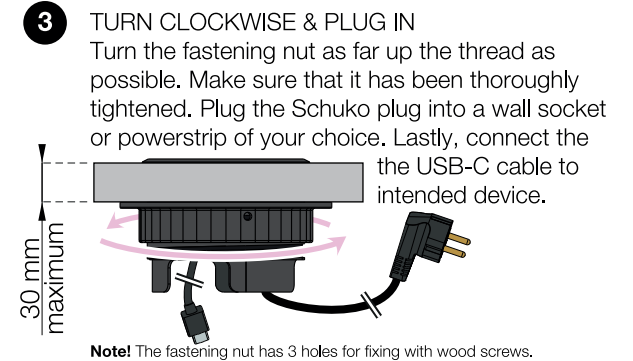
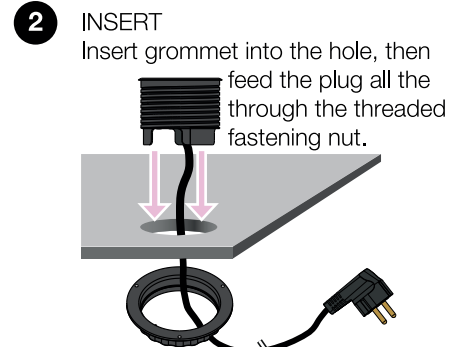


- 1 **USB Charger QC2.0 (Type-A)**

- 1 **Schuko socket**
/w 1250 mm cable

- 1 **USB Port (Type-C Female)**
/w 1000 mm cable

- 2 **feed-throughs**
(Ø7, Ø9.5 mm)



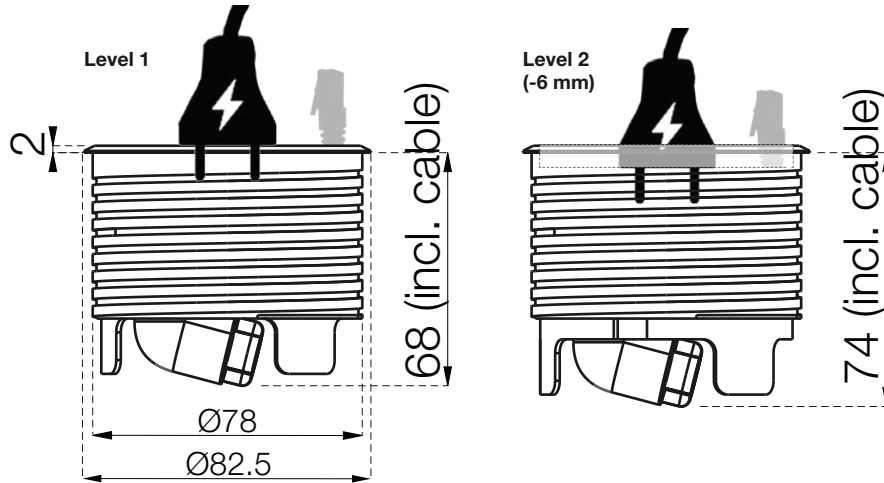


□ 935-PD16W

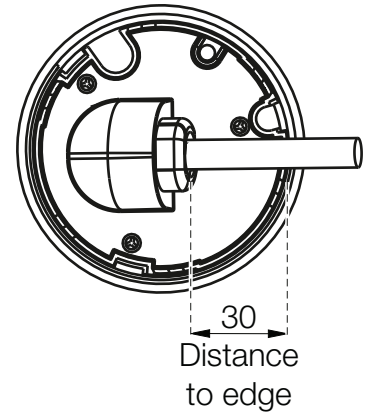
■ 935-PD16

**Powerdot - 1 Schuko, 1 USB/A charger. (5V 2A),
1 USB/C port, 2 Feed throughs (Ø7, Ø9.5 mm)**

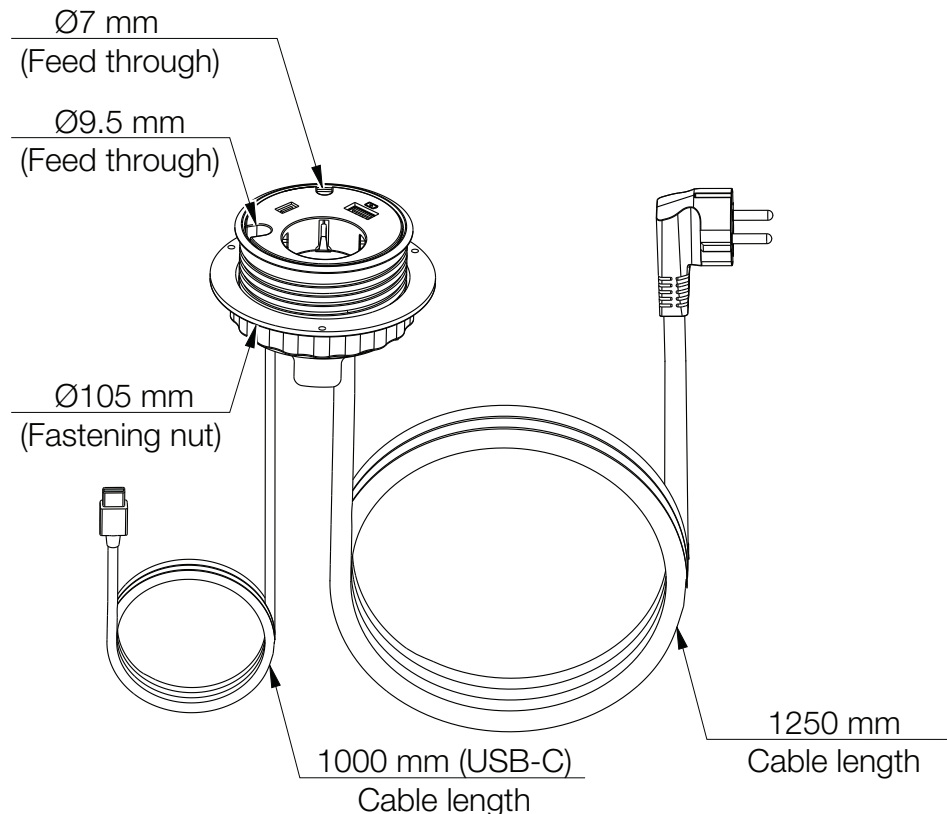
Front view (Grommet)



Bottom view



Oriented view (Grommet, nut & cable)



Maximum table thickness:
Recommended hole cut:

30 mm
Ø79 mm

Revised
191219