

# MANUAL SWEEPER GUIDE

Model 920



**Please make sure you read the instruction manual below and clear the operation before you use this sweeper.**

## SPECIFICATION

Working width with two side brushes	920 mm
Container Capacity	40L
Maximum Theoretical Area Performance	3680m <sup>2</sup> /h
Net weight	23.8 kg
Dimension	1300x790x1035 mm
Dimension (folded)	890x790x385 mm

## STANDARD PRODUCTS AND SPARE PARTS IN THE BOX



Sweeper body



Handle 1 Pc



Front brush 2 Pcs



Turning knob 2 Set



Bolt 2 Set



Screw 6 Set



Wrench



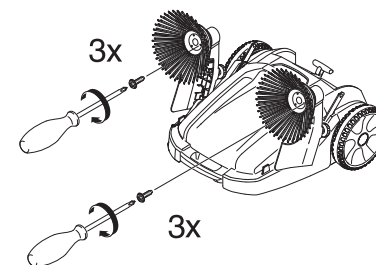
Screwdriver



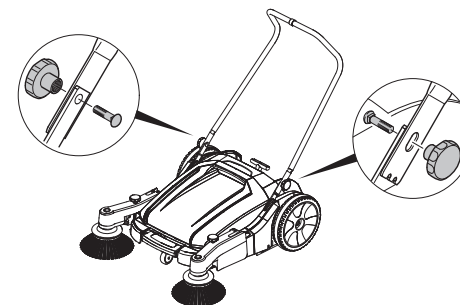
Instruction manual

## HOW TO USE

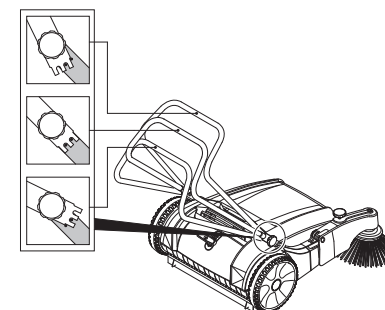
1. Take out the brushes from the debris container and screw the brushes.



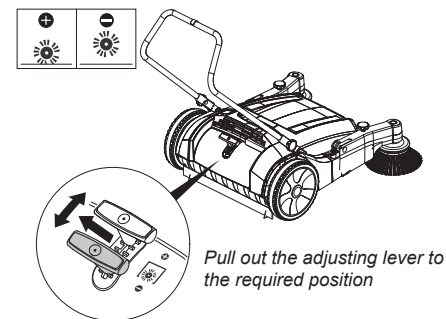
2. Retaining screw for push handle adjusting.



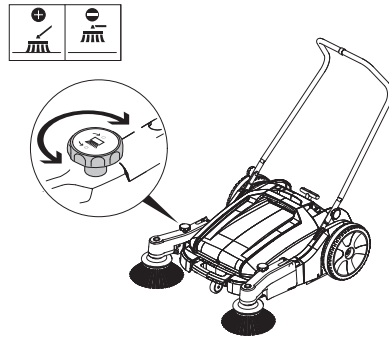
3. Three-position adjustable handle for operator comfort and convenience.



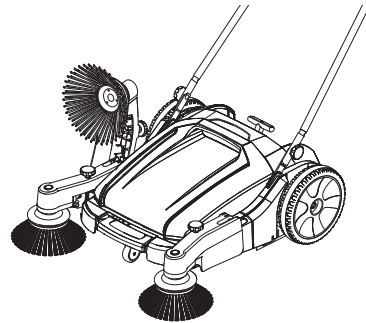
4. Adjustable roller broom height with 6 different positions.



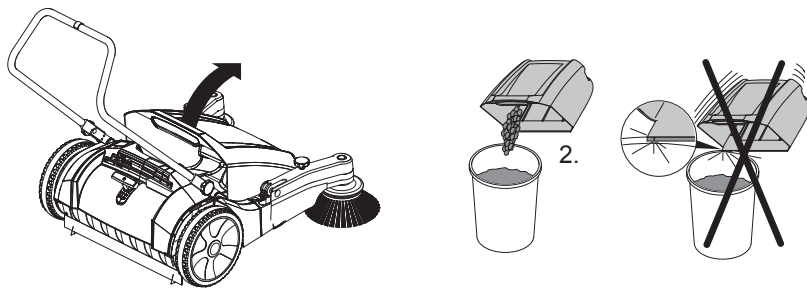
5. Easy to adjust front brush pressure for outstanding sweeping performance.



6. Adjustable side broom swings out of the way when use is not required.



## CONTAINER DETACH AND EMPTY

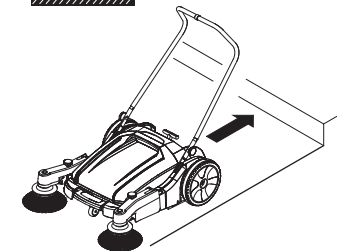
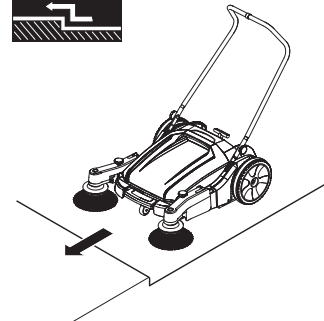
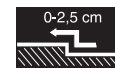


- A Lift the debris container handle and detach that
- B Please collect the debris one side and empty the container
- C Strong impact is prohibited

## OPERATION



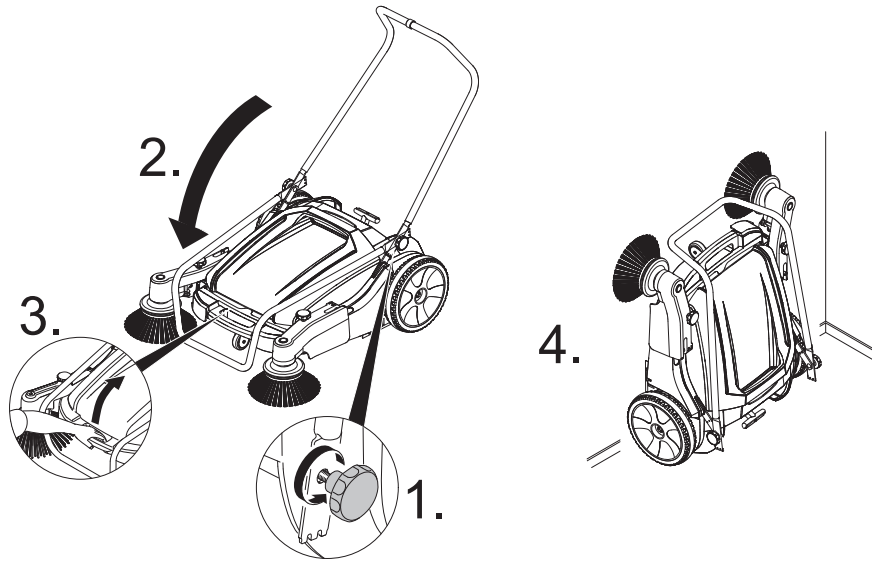
1. Hand push action. Extremely easy to use. Normal walking speed recommended.
2. Ideal for cleaning paths, halls, sidewalks and warehouses quickly and conveniently.
3. Suitable for fine dust and small pieces, like sand, grain, nails and bolts, iron filings, sawdust, papers.
4. The cleaning surface should be competitive flat and height difference  $\leq 2.5\text{CM}$ , Walking the step in the opposite direction  $\leq 19\text{CM}$



## STORAGE

Space Saving Storage.

Folds completely flat for convenient storage.



## PROBLEM TREATMENT

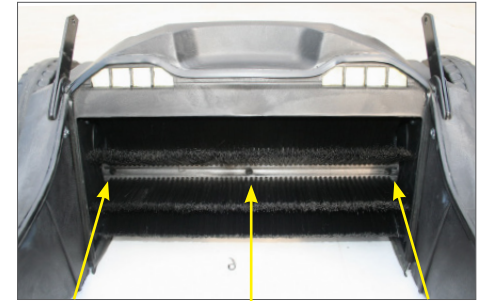
Fault	Solution
Unsatisfactory sweeping result	Empty debris container Adjust height of main brush/clean/replace Adjust height of side brush/clean/replace Check/replace the drive belt for side brush

## PARTS REPLACEMENT

### MAIN BRUSH

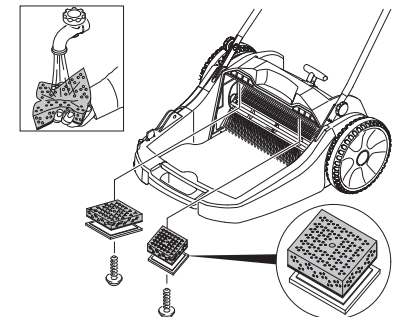
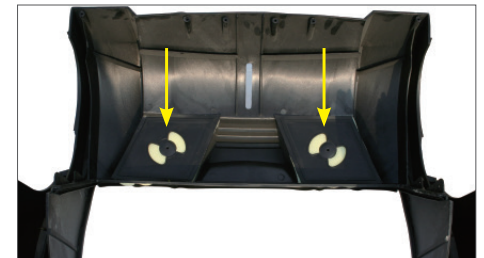
To dismantle the main brush, unscrew all 6 retaining screws.

The two main brush half-shells can then be taken out.



### FINE FILTER CLEAN AND REPLACEMENT

Pull out the retaining pin and remove the fine filter for cleaning or replacement.



## WHEEL

- 1) Use a screwdriver to unclip the cap cover in the middle of the wheel
- 2) Use wire cutting pliers to disconnect and remove the lock washer

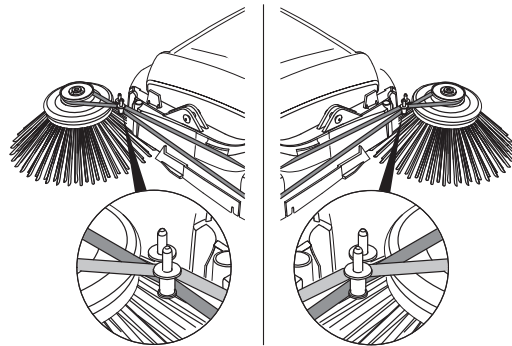
The lock washer is broken when removed. A new lock washer must be used to reinstall the wheel.

- 3) The wheel can be pulled off the axle



## ROUND BELT

When installing the drive belt pay attention to the rotational direction of the side brush. When moving forward the side brush must rotate towards the inside.



## GROUND LIP

Unscrew all retaining screws.  
The ground lip can then be taken out.



## REAR SKIRTING

Unscrew all retaining screws.  
The rear skirting can then be taken out.



## SKIRTING

Unscrew all retaining screws.  
The rear can then be taken out.



## MAINTENANCE

The broom could be clean with water.  
Avoid hot water or heat air blowing;

Sweeper body could be clean with water.  
Avoid have it under the blazing sunlight for long time;

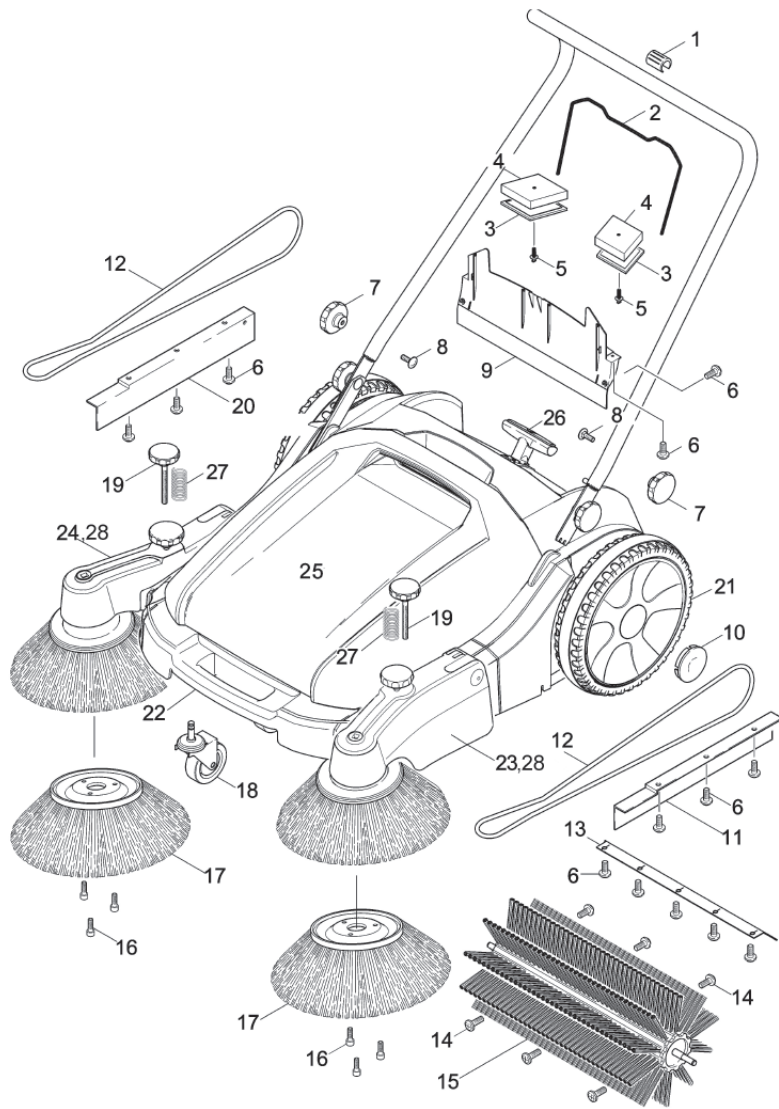
Spool cords, thread must removed for best result;

After using some time, tighten the front castor with our specially-made wrench to avoid loose.





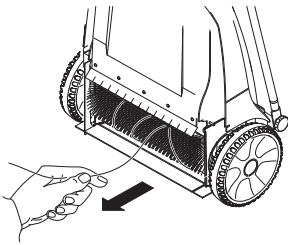
# EXPLOSION DRAWING



- |                            |                           |
|----------------------------|---------------------------|
| 1. Clamp                   | 16. Screw                 |
| 2. Seal rubber             | 17. Side brush            |
| 3. Filter covering cap     | 18. Castor                |
| 4. Filter                  | 19. Turning knob          |
| 5. Plug                    | 20. Skirting 2            |
| 6. Screw                   | 21. Wheel                 |
| 7. Turning knob            | 22. Frame                 |
| 8. Saucer-head screw       | 23. Arm right             |
| 9. Rear Skirting           | 24. Arm left              |
| 10. Wheel cap              | 25. Debris container      |
| 11. Skirting 1             | 26. Adjusting lever       |
| 12. Round belt             | 27. Spring for side brush |
| 13. Ground lip             | 28. Pulley block          |
| 14. Screw                  |                           |
| 15. Rolling brush complete |                           |

## NOTE:

1. This Unit is designed for outdoor hard floor. Home carpet may not suitable;
2. Before Using, make sure the unit is in good and safe condition;
3. The sweeper is not suitable for sweeping up liquids. Do not sweeper up burning or glowing objects, e.g. cigarettes, matches or similar;
4. Heavy stone and large size debris may unable to be collected;
5. Please lift the two side brushes when cleaning the large dust condition;
6. Please avoid sweeping long rope yarn like material to avoid brushes tangling and damage; once it happened, please take out by reversing the roller brush.



## SAFETY WARNING!

1. When sweeping and operating the machine in front of machine and children, please pay much more attention;
2. Please do not take the unit as toys for children;
3. Please do not let your hair, feet, figures, clothes etc. of your body close to the garbage collecting mouth of the unit;
4. Please do not operate the sweeper barefoot or wearing shoes with figure out;
5. Please do not sweeping stuff of heat, burning or smoking to avoid fire hazard and person injury;
6. Please do not collecting flammable and explosive and stuff and poisonous material;
7. When collecting and empty glasses or material of sharp and with hurting dangerous, please wear safety gloves;
8. Please do not operate and store the unit close to heating source;
9. Please store the unit in safety places;
10. Please use sturdy gloves when removing glass, metal or other materials from the dirt container.