



Owner's Manual

SPRING ACTUATED Level Loader



AJ Produkter

Contents	
INTRODUCTION	3
SAFETY	3
Installation	3
Safety labels	4
Operation Notes - Manual Use	5
Operation Notes - Use with Fork Lift or Stacker	5
SPECIFICATIONS	5
INSTALLATION INSTRUCTIONS	6
Unpacking the Unit	6
Spring Selection charts	7
Installing the springs	7
Installation the Optional Adjustable feet	8
OPERATING INSTRUCTIONS	9
Loading Manually	9
Removing Loads Manually	10
Operating Safety - Manual use	10
Loading with a Fork Lift	10
Lossning med gaffeltruck	11
Unloading with a Fork Lift	11
Moving the Level Loader	11
MAINTENANCE	11
Routine Periodic Maintenance	11
TROUBLESHOOTING	12

List of Figures.

Fig. 1. Safety Labels	4
Fig. 2. Pinch Points	5
Fig. 3. Fastening points for Optional Adjustable feet	8
Fig. 4. Level Loader with one spring mounted	8
Fig. 5. Bayonet caps	8
Fig. 6. Reinstall the rotator table	8
Fig. 7. Spring Mounting Positions	9
Fig. 8. Loading Manually	9
Fig. 9. Unloading Manually	10
Fig. 10. Loading with a Fork Lift	11
Fig. 11. Unloading with a Fork Lift	11
Fig. 12. Moving the Level Loader	11

Introduction

The Spring Actuated Level Loader is a simple device which will automatically maintain a load at the ideal height for manual loading and unloading. If a palletized load is placed on the unit, the unit gradually rises as boxes or parts are removed. This automatically maintains the top of the load at the correct working height.

The unit may also be used in another way. An empty Pallet may be placed on the Level Loader. The unit gradually Lowers as boxes or parts are added. Again, this keeps the top of the load at the correct height. Complete pallets may be loaded or unloaded using a fork lift. Each Level Loader unit includes a steel scissor lift and at least one large compression spring. The springs are chosen to match the weight and height of a fully loaded pallet. Springs are available fora wide range of weight and height combinations, The Level Loader also includes a shock absorber. This eliminates any tendency for the load to bounce on the springs.

This manual contains information to help you to learn about the safe and proper installation, use, and upkeep of your Level Loader unit. Please be sure that this manual is available to anyone who uses or services the Level Loader unit

Level Loader units may be used in a wide variety of industrial settings. The instructions in this manual are not necessarily all-inclusive, as We cannot anticipate all conceivable or unique situations. In the interest of safety, please read this whole manual carefully. Be familiar with the contents of this manual before you install or use the Level Loader unit. If you are not sure of the proper procedure to be followed, please call our Products Corporation for more information.

PalletPat unit.

The Level Loader is a simple device which safe as possible for operators and service workers.If you take a few common-sense precautions, you will be able to use the unit safely. However ,the Level

Loader is a powerful unit with moving parts, and is capable of causing personal injury if proper precautions are not taken therefore throughout this manual, we have identified certain hazards which may occur in the use and servicing of the Pallet Pal unit, and provided appropriate instructions or precautions which should be taken to avoid these hazards. In some cases, we have also pointed out the consequences which may occur if Our instructions or precautions are not followed. we use the following system of identifying the seventy of the hazards associated with its product:

DANGER!

Immediate hazard which will result in severe personal injury or death.

WARNING!

Hazard or unsafe practice which could result in severe personal injury or death.

CAUTION!

Hazard or unsafe practice which could result in minor personal injury or property damage. Please read and follow this instruction manual: including all safety instructions and precautions, carefully and completely.

Figure 1 on page 4 shows the safety labels on this unit. Please be sure that all of the labels are in place, and are visable to the machine operators. Never paint over the labels. If any of the labels are missing, please contact us for replacements. The safety labels help to protect your workers.

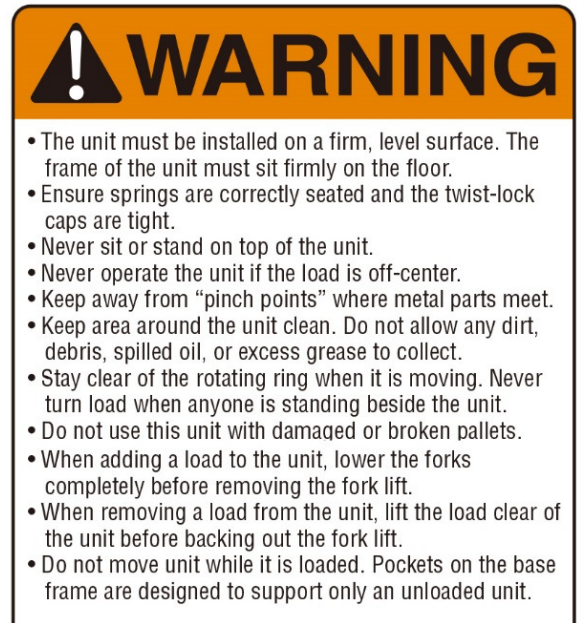
Installation Notes

WARNING!

The unit must be installed on a firm, nearlylevel surface. The frame of the unit must sit firmly on the floor, and the floor must be level. If the frame is not supported correctly, stresses may develop in the frame. The unit may bind or not work easily. The rotating ring may not rotate correctly.



Fig. 1. Safety labels



WARNING!

After the springs are installed, if the springs are not seated correctly, or the twist-lock caps are not tightened, the parts may pop loose when the unit is used. You may be hurt, or the load may be damaged.

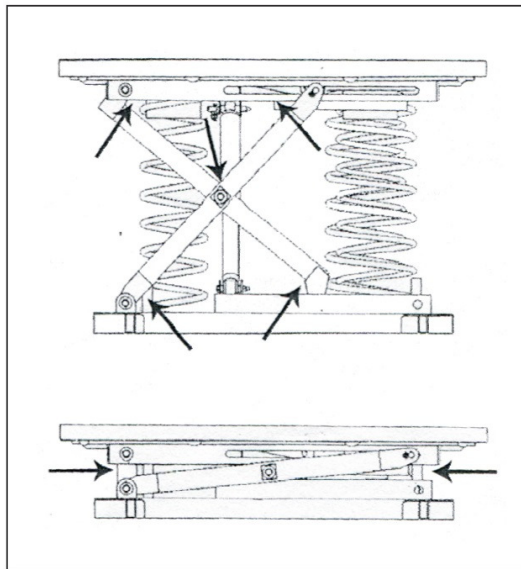


Figure 2. Pinch Points.

Operation Notes - Manual Use

WARNING!

Never operate the unit if anyone is sitting or riding on the rotating ring.

WARNING!

Never operate the unit if the load is off center. The load may shift, and you may be injured. This can also damage the unit.

WARNING!

As the unit moves, keep away from the "pinch points" where metal parts meet. See Fig. 2.

WARNING!

Keep the area around the unit clean. Do not allow any dirt, debris, spilled oil, or excess grease to collect. These materials may cause you to slip

while the unit is operating, and you may be injured.

WARNING!

Stay clear of the rotating ring when it is moving. As the pallet turns, a part of the load may rotate around and hit you. Never turn the load when anyone is standing beside the unit.

WARNING!

Do not try to use this unit with damaged or broken pallets. Broken pallets may have boards or nails which hang down below the main part of the pallet. As the pallet is turned, these boards or nails may catch on the frame of the unit. This can cause the pallet to stop turning suddenly, causing the load to shift. You may be injured, and the unit may be damaged. The boards or nails on the bottom of the pallet should not extend down more than 3 mm.

Operation Notes - Use with Fork Lift or Stacker

You must take some special precautions when using a fork lift or stacker with the unit:

When loading using a fork lift or stacker -

WARNING!

When adding a load to the unit, lower the forks completely before removing the fork lift. The pallet must be completely supported by the Level Loader. If you do not do this, the load may be dropped when you remove the fork lift. The unit or the load may be damaged, or you may be hurt. Figure 10, page 11, shows the correct way to load using a fork lift.

When unloading using a fork lift or stacker

WARNING!

When removing a load from the unit, lift the load clear of the Level Loader before backing out the fork lift. If you do not do this, the top of the unit may jump up when you remove the fork lift. The unit or the load may be damaged, or you may be hurt. Figure 11, page 11, shows the correct way to unload using a fork lift.

When moving the Level Loader

Do not move the Level Loader while it is loaded. This will damage the base frame of the unit. The pockets on the base frame are designed to support an unloaded Level Loader, they cannot support any extra weight. See Figure 12 page 11.

Specifikationer

Load capacity:	180 kg - 2000 kg
Load size:	127 cm wide x 127 cm long x 183 cm high (max.)
Length:	115 cm
Width (base frame):	93 cm
Compressed height:	25 cm
Extended height:	70 cm
Rotating ring, outside diameter:	111 cm
Rotating ring, inside diameter:	102 cm
Net weight:	172 kg, with 3 springs installed.

Installation Instructions

Unpacking the Level Loader

1. Before you start to install the unit, check for local codes and ordinances which may apply. It is your responsibility to obtain any necessary permits.
2. Please read all of these instructions carefully. Be sure to read and understand all of the warnings.
3. Inspect the shipping pallet carefully for any damage which may have effected the unit. If you see signs of damage, tell the trucker. Also make a note of this on the shipping papers which you are asked to sign
4. Choose the place where you want to use the

1. Fill in the weight of a fully loaded pallet here: _____
(Do not guess. Get actual weight or have a pallet weighed.)
2. Fill in the height of a fully loaded pallet here: _____
(Do not guess. Measure a loaded pallet, including the height of the pallet)
3. Using the chart at page 7 select the correct Level Loader range: _____

unit. It is very important that the Level Loader be set up on a smooth and flat surface. Check the floor surface carefully and make sure that it is free of all loose debris and dirt. Using optional adjustable feet, the unit can compensate for a slightly sloping floor (1:25), but the surface must be smooth and solid.

CAUTION!

The unit must be installed on a smooth flat surface. If the floor is not flat, this can create stresses in the frame of the unit. The unit may not work properly, or parts of the unit may wear more quickly than they should. You may be hurt or the load may be damaged.

Weight of a Loaded Pallet (load & pallet) kg.

	0-180 (kg)	180-360 (kg)	360-540 (kg)	540-730 (kg)	730-900 (kg)	900-1090 (kg)	1090-1270 (kg)	1270-1450 (kg)	1450-0 (kg)	0-1820 (kg)	1820-2000 (kg)
147-152 cm	1	1	1	1	1	1	2	2	2	3	3
142-147 cm	1	1	1	1	1	2	2	2	2	3	3
137-142 cm	1	1	1	1	1	2	2	2	2	3	3
132-137 cm	1	1	1	1	1	2	2	2	3	3	3
127-132 cm	1	1	1	1	1	2	2	2	3	3	4
122-127 cm	1	1	1	1	1	2	2	2	3	3	4
117-122 cm	1	1	1	1	1	2	2	3	3	3	4
112-117 cm	1	1	1	1	2	2	3	3	3	4	4
107-112 cm	1	1	1	2	2	2	3	3	4	4	4
102-107 cm	1	1	1	2	2	3	3	3	4	4	4
96-102 cm	1	1	1	2	2	3	3	4	4	4	4
91-96 cm	1	1	1	2	2	3	4	4	4	4	4
86-91 cm	1	1	2	2	3	3	4	4	4	4	4
81-86 cm	1	1	2	3	3	4	4	4	4	4	4
76-81 cm	1	1	2	3	3	4	4	4	4	4	4

Table 1 – Spring selection chart

Caution Level Loadersprings are precisely calibrated and will work best within the load weight and height ranges selected. Selection : based on higher or lower than actual weight will result in restricted raising or lowering capability. Should pallet weight or height weight requirements dramatically change, Level Loader can be adapted in the field at any time by simply changing the spring combination.

- Range 1 – Pallet Pal with orange spring
- Range 2 – Pallet Pal with orange and grey spring
- Range 3 – Pallet Pal with orange and purple spring
- Range 4 – Pallet Pal with orange, grey and purple spring

5. Position the Level Loader beside the point where the unit will be set up.

6. Remove the banding which secures the unit to the pallet. Remove all packing material. Shift the unit to the floor. Support the base as you do this.

7. Check to see that the frame of the unit is sitting firmly on the floor. Try to move or rock tho frame of the unit. The base frame should be stable, and should not move. Check to see that the base frame is level. (If any part of the frame is more than 12 mm out of level in relation to any other part, you must install the optional adjustable feet to level the unit. See the instructions on page 8.)

8. Remove the springs and lay them out on the floor.

Setting up and Installing the Springs.

1. The Level Loader will be preinstalled with one spring and will always have at least one spring installed. This spring has an orange mark, and is larger in diameter than the others. This large orange spring is always placed in the front of the unit. Figure 4, page 8, shows the position of the first spring. The frame of the unit can handle loads of up to 2000 kg. In order to adapt the unit for different pallet loads, the springs are changed. The springs are chosen to match the weight and height of a fully loaded pallet. A unit may have one to three springs. Each time the pallet weight or pallet height is changed, the springs may also need to be changed. Table 1 on page 7 show how the springs are selected.

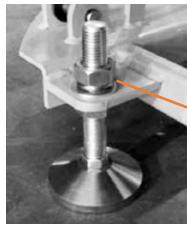


Fig. 3.



Fig. 4.

Installing the Optional Adjustable Feet

You will need two adjustable wrenches to install the feet. Each foot has a large threaded shaft which fits through one of the large holes in the base frame of the unit Fig. 3. There are two nuts for each shaft. When each foot is installed, the threaded shaft should include one nut below the base frame and one nut above it. The two nuts are used to clamp against the base frame. The third nut is used to lock the adjustment. Adjust each of the feet until the frame of the unit is level. All four of the feet must touch the floor. Once the settings are correct, tighten two of the nuts against the base frame. The third nut (above the base frame) is used to lock the setting. Tighten this nut down against the nut below it.



Fig. 5.



Fig. 6.

1. Remove the rotator table. Install additional springs as needed through the bayonet openings. Reinsert the bayonets and twist to lock them in place.

2. Reinstall the rotator table.

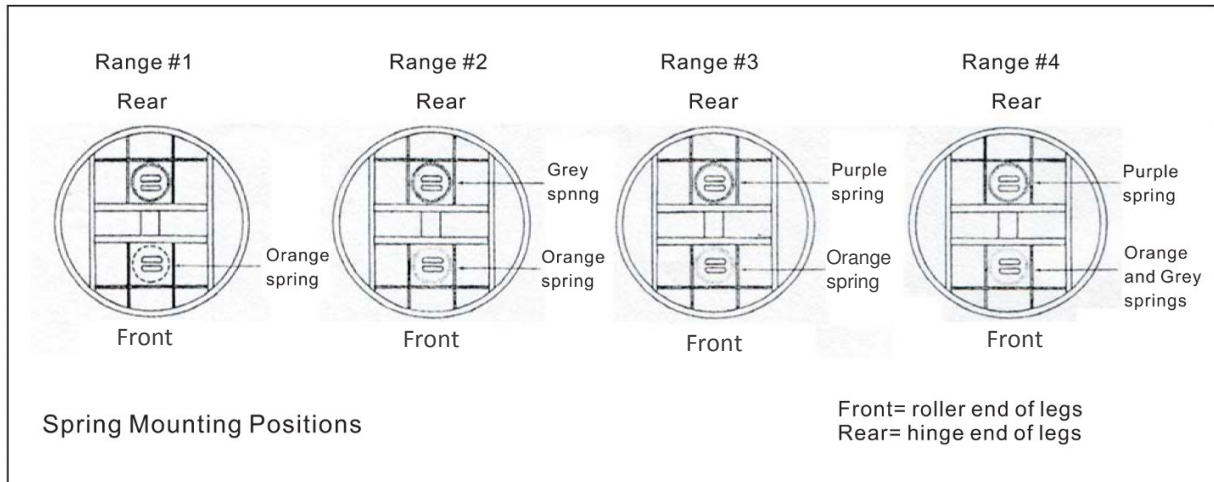


Fig. 7. Spring Mounting Positions

- Fig. 7. shows the position of additional springs if needed. Double-check to be sure you have the correct springs. Refer to Table 1 on page 7 and see that you have the correct springs for your application.

Before using the unit, do a safety check. Be sure that each of the spring bayonet caps is in place and rotated to their locked position. Check the top and bottom of each spring to be sure it is seated correctly. Check the linchpin at the top of the shock absorber. These checks are very important.

The Level Loader is now ready for use!

Operating Instructions

Loading Manually

Add boxes or parts until the pallet is full. Load the pallet in layers. Use the rotating ring to position the pallet to eliminate walking around. The unit will gradually lower the pallet until it reaches the bottom. See Figure 8.

CAUTION!

Rotate the pallet load. Never place your hands on the rotator ring. You may be hurt.

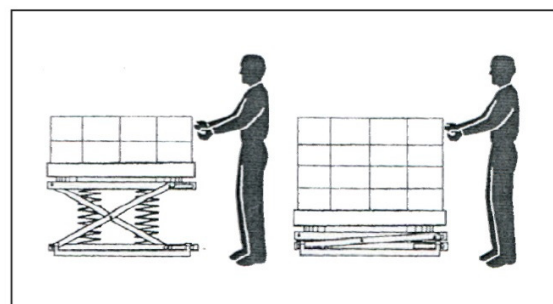


Fig. 8. Loading Manually.

Removing Loads Manually

Remove boxes or parts until the pallet is empty. Unload the pallet in layers. Use the rotating ring to position the pallet to eliminate walking around. The unit will gradually raise the pallet. See Figure 9.

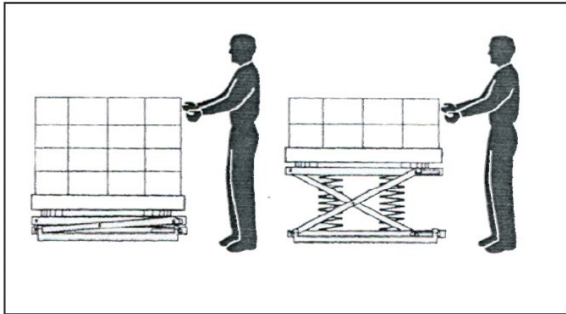


Figure 9. Removing Loads Manually.

Operating Safety - Manual Use

Do not use this unit with a load greater than the rated load. This includes the weight of the payload and the weight of the pallet. Table 1 on page 7 shows how to be sure you have the correct spring combination for your application.

1. Never push the load off of the side of the unit. If you do this, the frame of the unit may jump upward.
2. Never use the unit when anyone is sitting or riding on the rotating ring.
3. Do not try to use this unit with damaged or broken pallets. Broken pallets may have boards or nails which hang down below the main part of the pallet. As the pallet is turned, these boards or nails may catch on the frame. The pallet may stop turning suddenly and this can cause the load to shift. You may be injured and the unit may be damaged. If the boards or nails on the bottom of the pallet extend down more than 8 mm, they will interfere with the turning action.

4. Stay clear of the rotating ring when it is moving. As the pallet turns, a part of the load may rotate around and hit you.

5. Keep the area around the unit clean. Do not allow any dirt, debris, spilled oil, or excess grease to collect. These materials may cause you to slip while the unit is operating and you may be injured.

Loading with a Fork Lift

1. Place the load on the lift, then lower the fork lift. Before removing the load, be sure the unit is carrying the weight, not the fork lift. See Figure 10 on page 11.
 - Lower the load until the springs on the Level Loader are fully compressed.
 - Be sure the forks on the lift are clear of the inside of the pallet.

WARNING!

If you skip these steps, the load may drop suddenly when you remove the fork lift. You may be hurt or the unit or load may be damaged.

WARNING!

Never drop the load on the rotating ring. If you do this while the rotating ring is moving, the load may shift. You may be injured or the unit may be damaged. If you drop the load while the rotating ring is stopped, the unit may be damaged.

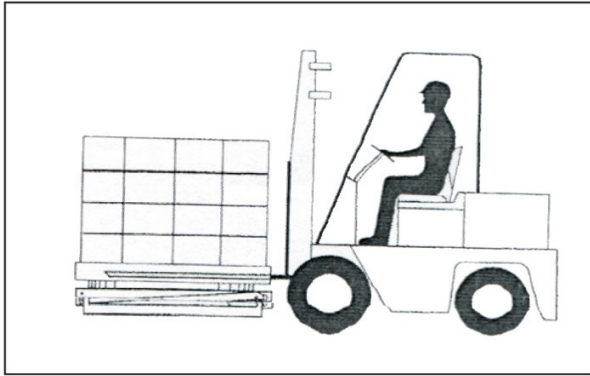


Figure 10. Loading with a forklift.

2. Be sure the load is centered on the unit. If the load is off-center, it may shift when the rotating ring is turned. You may be hurt or the unit or load may be damaged.

Unloading with a Fork Lift

1. Insert the forks fully into the pallet, and lift the pallet straight up and clear of the top of the unit. See Figure 11.

- Raise the pallet until the springs on the Pallet are fully extended.
- Be sure the pallet clears the top of the rotating ring before you move the fork lift.

WARNING!

If you skip these steps, the unit may jump up suddenly when you remove the pallet. You may be hurt or the unit or load may be damaged.

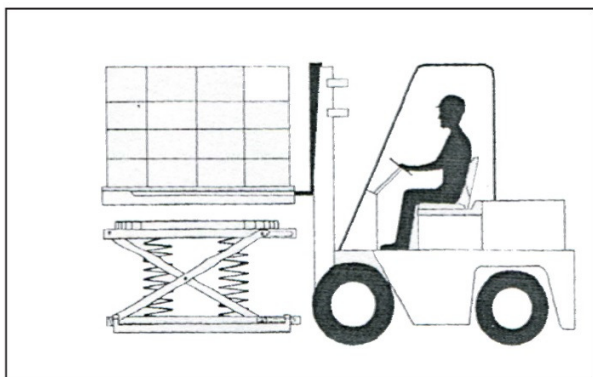


Figure 11. Unloading with a forklift.

Moving the Level Loader

WARNING!

Do not move the Level Loader while it is loaded. This will damage the base frame of the unit. The pockets on the bass frame are designed to support an unloaded Level Loader, but cannot support any extra weight.

1. Remove any load from the top of the Level Loader.
2. Insert the forks into the pockets in the base frame. See Figure 12.

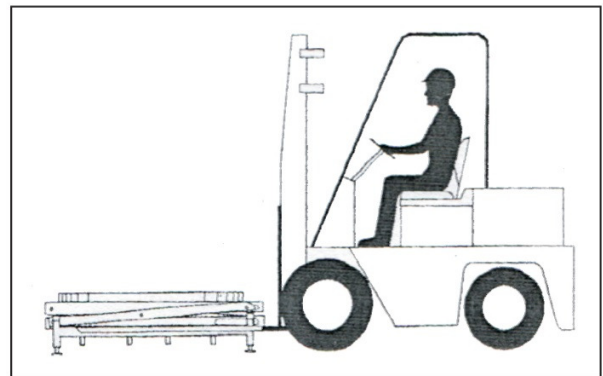


Figure 12. Moving the Level Loader

Maintenance

Routine Periodic Maintenance
Every 90 days

- Check for loose hardware and signs of excessive wear. On the models where the shock absorber is used, check for signs of leakage.

- Check to be sure that the unit is placed on a firm level surface. If the optional feet are installed, be sure that all four feet are touching the floor and are locked in position.

Troubleshooting

Troubleshooting Check List

Problem	Possible Cause	Check This
The unit lowers too easily (too early).	The spring combination may be too weak for the load.	Check the spring ratings. See Table 1 on page 7.
The unit does not lower enough (too late).	The spring combination may be too strong for the load.	Check the spring ratings. See Table 1 on page 7.
The top of the unit rotates away from you.	The frame of the unit may not be level.	Move the unit to a level surface or install the optional adjusting feet.
The top of the unit bounces.	The shock absorber may be damaged.	Check for leaks or dents. Replace if damaged.
Excessive "rumble" when the ring rotates	Wear or lack of lubrication to bearings under rotating ring.	Remove turntable, lubricate or replace bearings.
Wear or metal flaking from underside of rotating ring.	Normal condition caused by work-hardening of metal.	No repair necessary. This will stop once the rotator ring wears in.